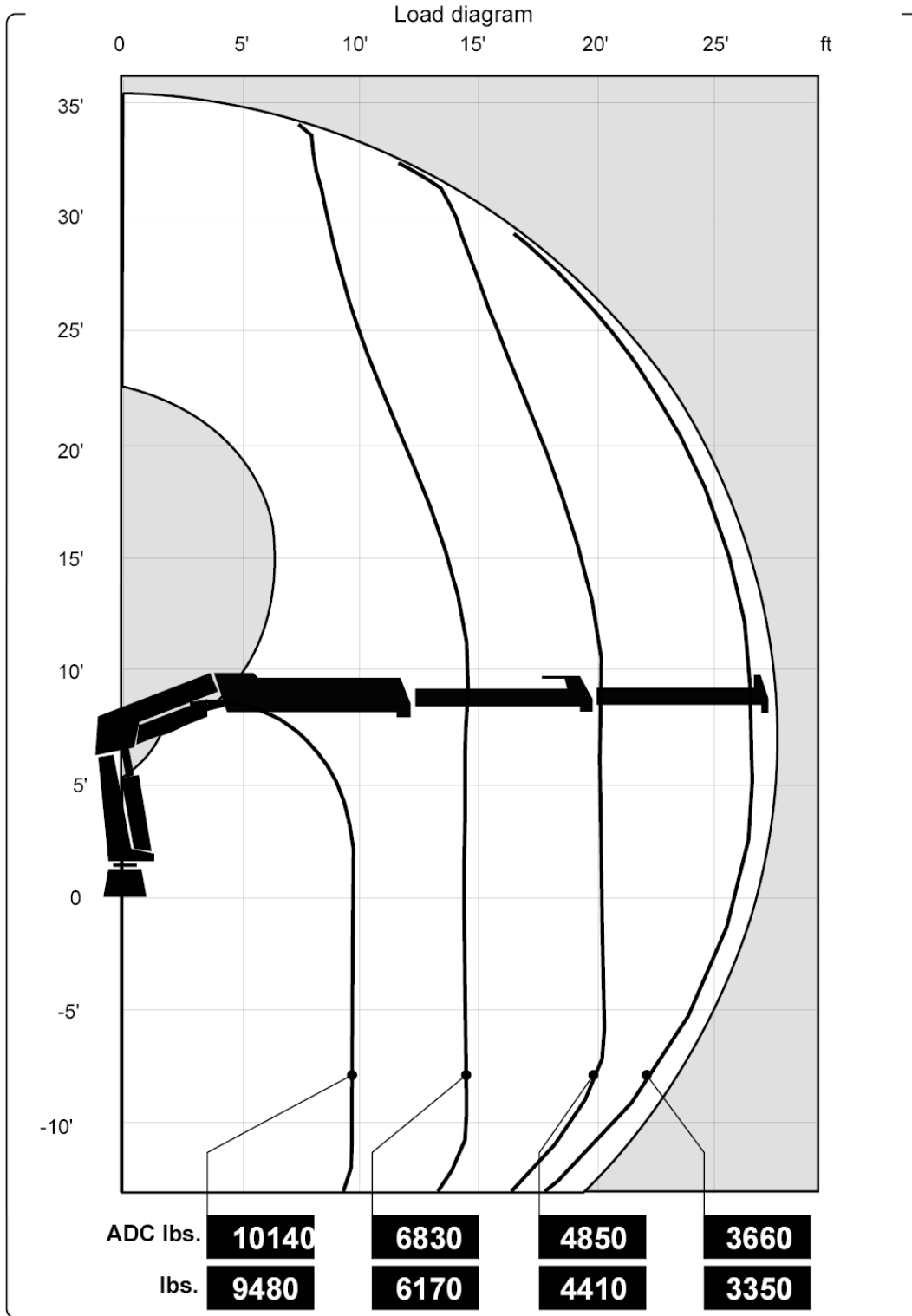


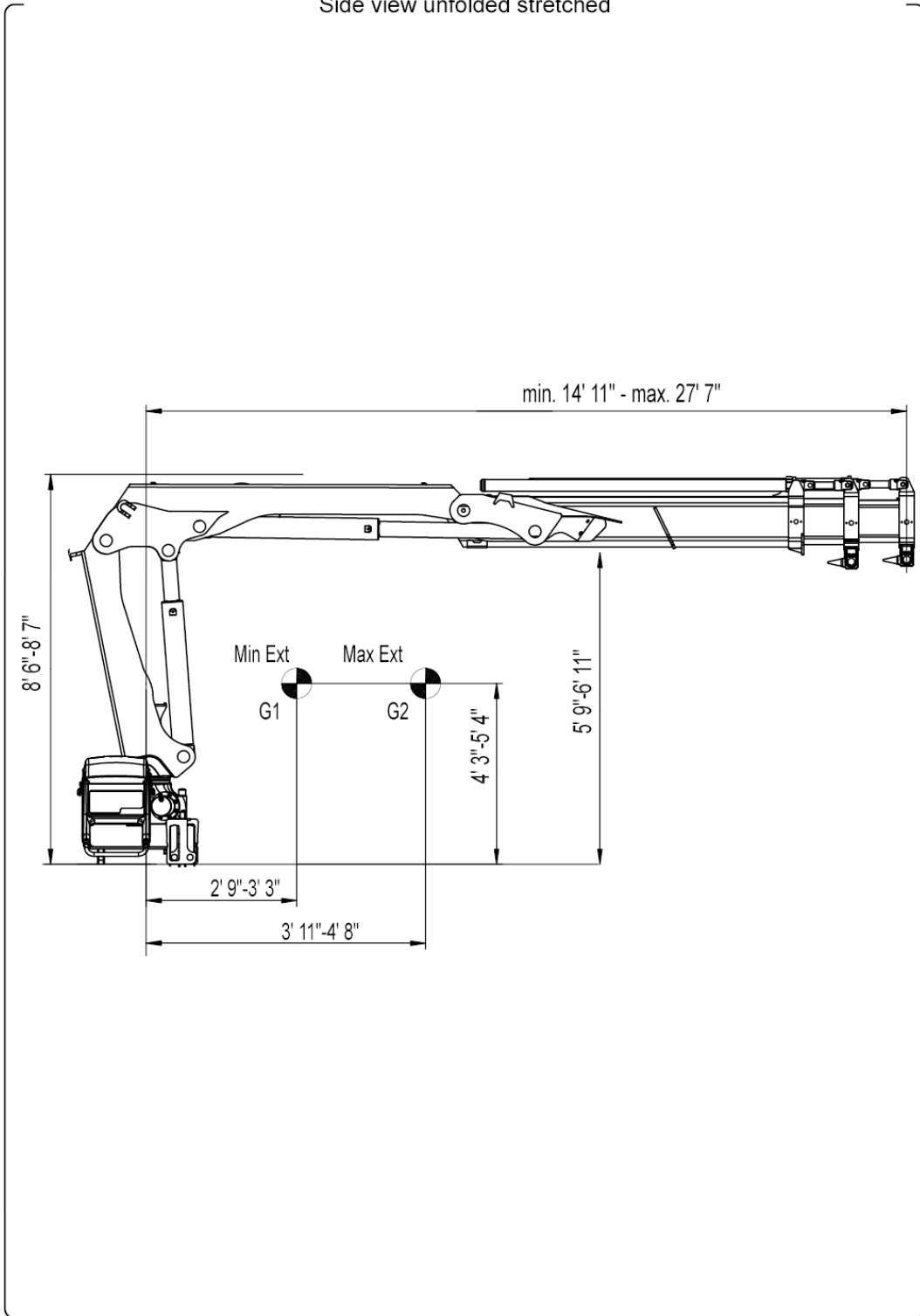
Technical Data

Tech sheet Hiab 144 B-2 Duo

Version		HIAB 144 B-2 Duo
Lifting capacity (ADC)	ft-lbs	98 840
Outreach - lifting capacity, standard	ft-lbs.	9' 6" - 10 140
		14' 5" - 6 830
		20' 4" - 4 850
		26' 7" - 3 660
Outreach - lifting capacity, manual extensions	ft-lbs.	32' 10" - 2 690
		40' 0" - 2 070
Hydraulic outreach, standard	ft	27' 7"
Outreach, manual extensions	ft	42' 0"
Lifting height above installation level, hydr/man	ft	35' 5" / 49' 10"
Rec. oil flow	gallon/min	12 - 13
Working pressure	psi	3 760
Oil in tank	gallon	0 - 53
Slewing angle	Ø	190 - 415
Max slope viable at full capacity	°	5
Lifting speed at standard hydraulic outreach	ft/s	3' 7"
Height in folded position	"	88
Width in folded position	"	96
Install space required. Rotation area not included	"	40
Install space required with hose and pipe kit	"	40
Weight		
Crane in standard version without support legs	lbs.	3 420
Top seat	lbs.	0
Frame attachments	lbs.	70 - 140
Support leg equipment	lbs.	540 - 850



Side view unfolded stretched



Front view folded

